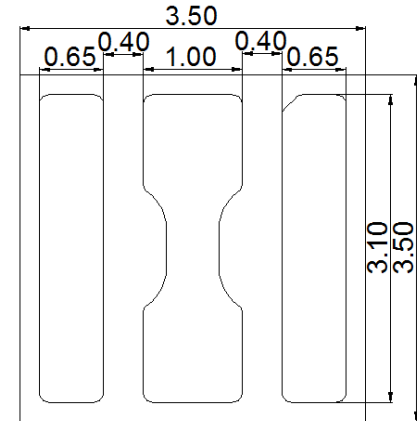
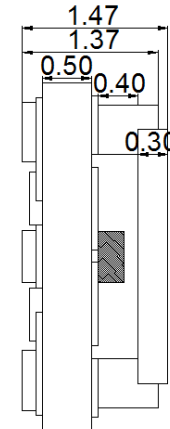
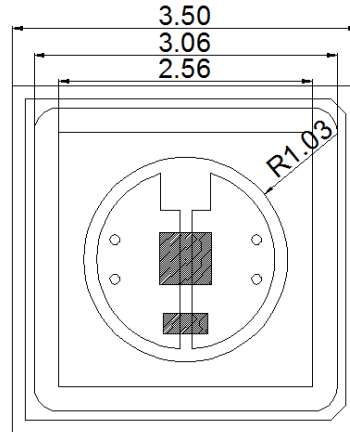




[Mechanical Dimensions] unit: mm

LEDTECH UVC SMD LED DM



Optical Characteristics:					
Color	Type	Forward Voltage (Typ.V)	Radiant Power (Typ.mW)	Peak Wavelength (Typ.nm)	D.C.Forward Condition (mA)
Purple	LTFGU3-FG-1M1E1-GAL2	6	7.5	277.5	100

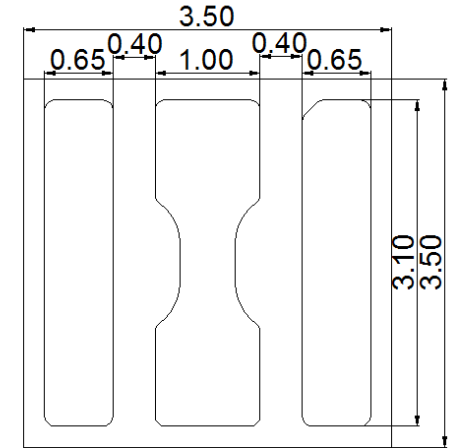
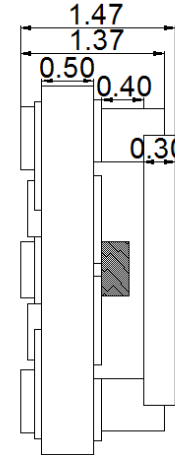
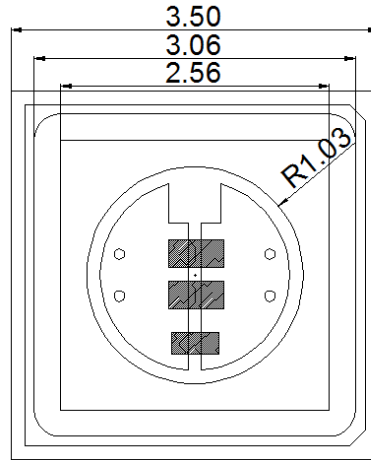
Product feature: high quality, low light decay, long life

Application field: air cleaner、 LED multi-function sterilizer, etc



[Mechanical Dimensions] unit: mm

LEDTECH UVC SMD LED DM



Optical Characteristics:

Color	Type	Forward Voltage (Typ.V)	Radiant Power (Typ.mW)	Peak Wavelength (Typ.nm)	D.C.Forward Condition (mA)
Purple	LTFGU3-FG-2M1E1-GAL3	6.5	11	277.5	100

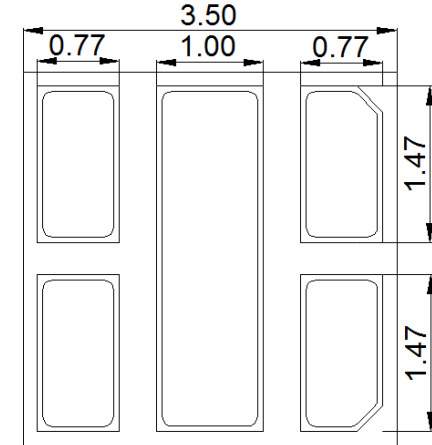
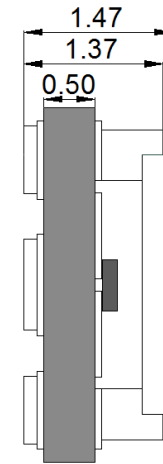
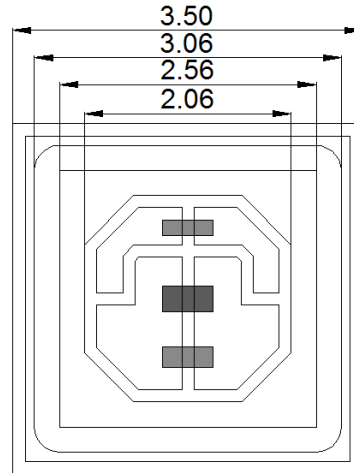
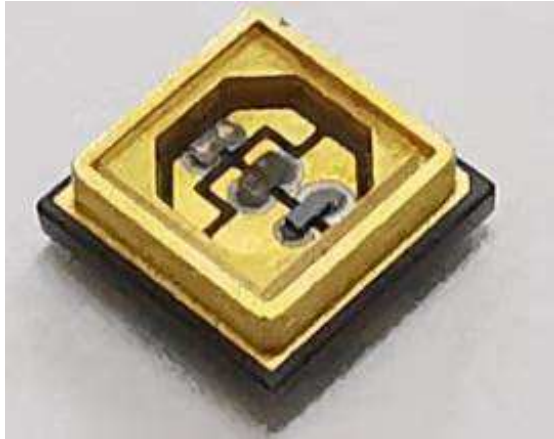
Product feature: high quality, low light decay, long life

Application field: air cleaner, LED multi-function sterilizer, etc



[Mechanical Dimensions] unit: mm

LEDTECH UVC SMD LED DM



Optical Characteristics:					
Color	Type	Forward Voltage (Typ.V)	Radiant Power (Typ.mW)	Peak Wavelength (Typ.nm)	D.C.Forward Condition (mA)
Purple	LTFG63-FG-2M1E1-GAL4	6.5	10.5	277.5	100
		3.15	40	400	20

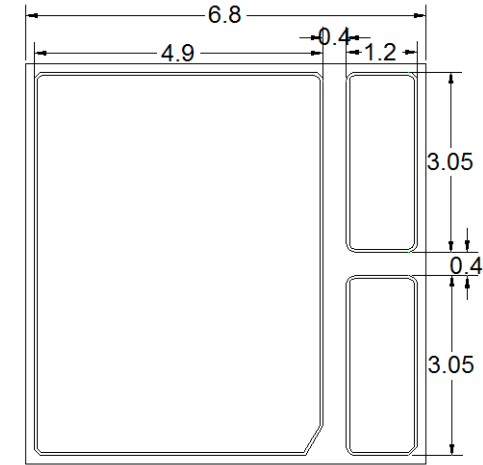
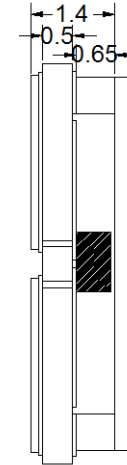
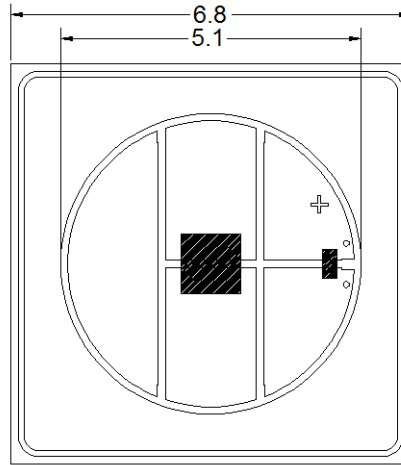
Product feature: high quality, low light decay, long life

Application field: air cleaner、 LED multi-function sterilizer, etc



[Mechanical Dimensions] unit: mm

LEDTECH UVC SMD LED DM



Optical Characteristics:					
Color	Type	Forward Voltage (Typ.V)	Radiant Power (Typ.mW)	Peak Wavelength (Typ.nm)	D.C.Forward Condition (mA)
Purple	LPHQU3-HQ-1M1D1-GAL5	6.5	35	277.5	300

Product feature: high quality, low light decay, long life

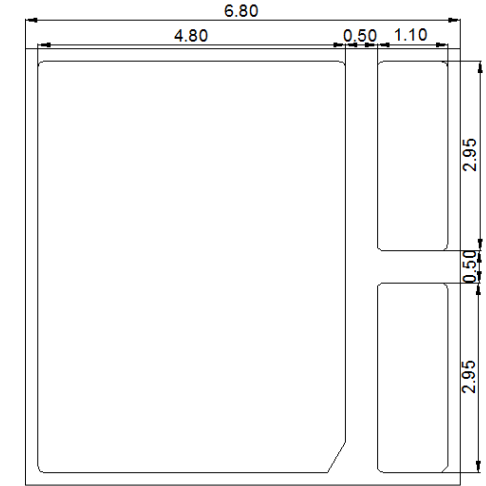
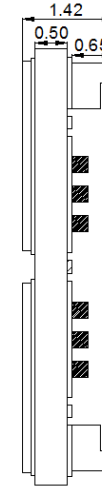
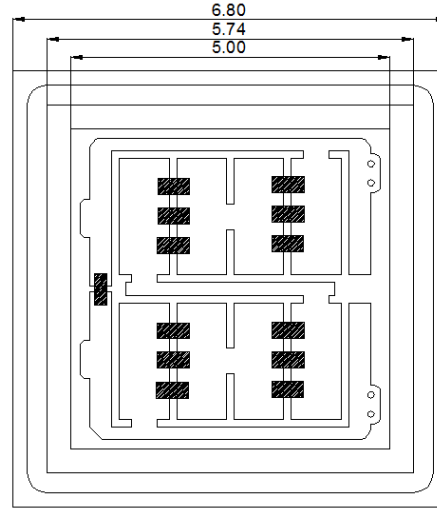
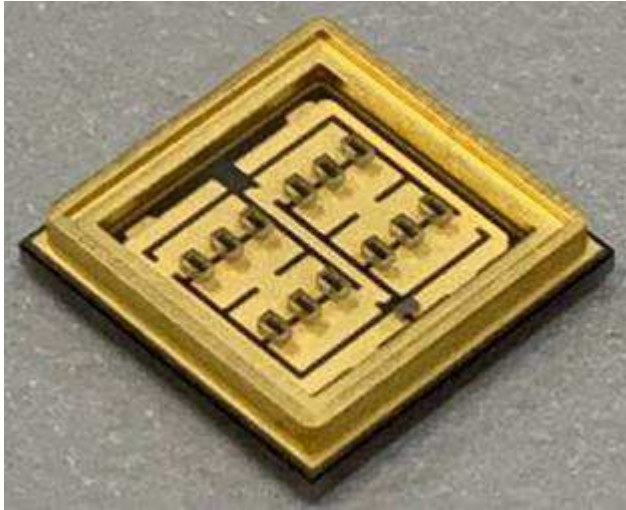
Application field: air cleaner、 LED multi-function sterilizer, etc



Ledtech Electronics Corporation

[Mechanical Dimensions] unit: mm

LEDTECH UVC SMD LED DM



Optical Characteristics:					
Color	Type	Forward Voltage (Typ.V)	Radiant Power (Typ.mW)	Peak Wavelength (Typ.nm)	D.C.Forward Condition (mA)
Purple	LPHQ63-HQ-12M1D1-GAL6	21	40	277.5	120
		27	120		350

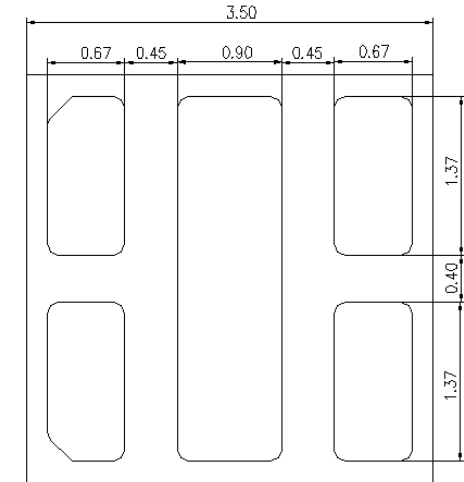
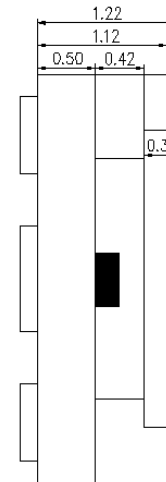
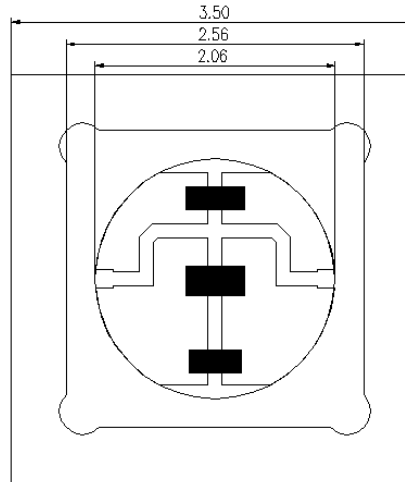
Product feature: high quality, low light decay, long life

Application field: air cleaner, LED multi-function sterilizer, etc



[Mechanical Dimensions] unit: mm

LEDTECH UVC SMD LED DM



Optical Characteristics:					
Color	Type	Forward Voltage (Typ.V)	Radiant Power (Typ.mW)	Peak Wavelength (Typ.nm)	D.C.Forward Condition (mA)
Purple	LTFG63-FG-2M1E6-GAL7	6.5	10.5	277.5	100
		3.15	40	400	20

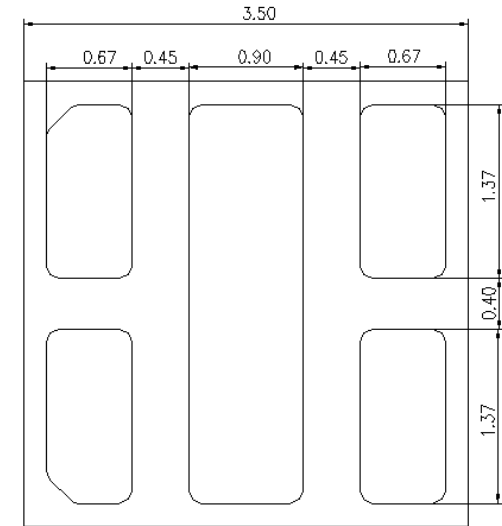
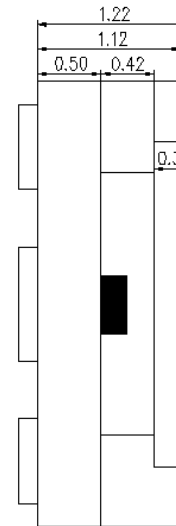
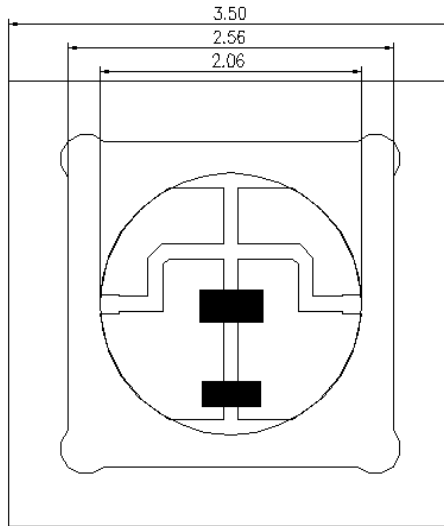
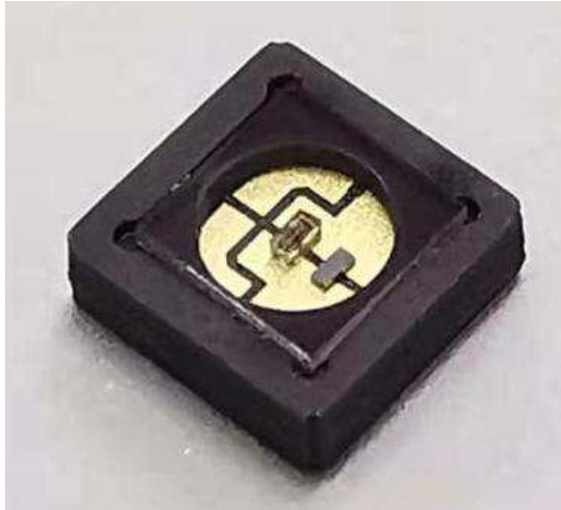
Product feature: high quality, low light decay, long life

Application field: air cleaner, LED multi-function sterilizer, etc



LEDTECH UVC SMD LED DM

[Mechanical Dimensions] unit: mm



Optical Characteristics:					
Color	Type	Forward Voltage (Typ.V)	Radiant Power (Typ.mW)	Peak Wavelength (Typ.nm)	D.C.Forward Condition (mA)
Purple	LTFGU3-FG-1UDK2-GAL1	6.5	10.5	277.5	100

Product feature: high quality, low light decay, long life

Application field: air cleaner, LED multi-function sterilizer, etc